

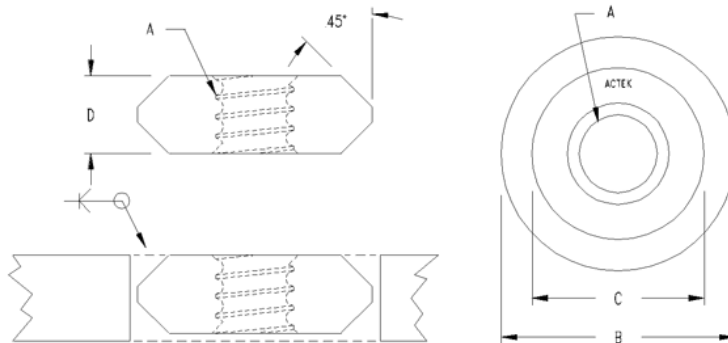


Actek Street Plate Nuts
"COIL" Nuts – Part # 48822

CWS PROCESS CODE COLOR – YELLOW

<u>Item#</u>	<u>Thread Size (A)</u>	<u>Thread Type</u>	<u>B</u>	<u>C</u>	<u>D</u>
48822	1-1/4" - 3.5	COIL	3 in.	2-1/8 in.	1 in.

(Note: 3.5 Denotes # of threads per inch)



Actek Street Plate Nuts
"COIL" Nuts – Part # 48822